

## HANGING SYSTEM III



S - Clamp for Hanging System



Special - Clamp for Hanging System - 1



Special - Clamp for Hanging System - 2

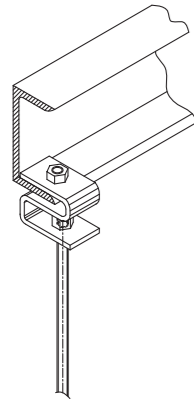


Q - Clamp for Hanging System

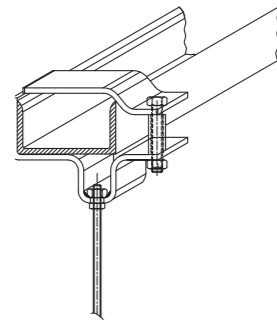


W - Clamp for Hanging System

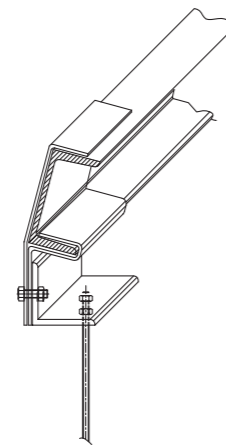
- Fully galvanized systems
- Various type of clamps for hanging support from truss
- Available ex-stock



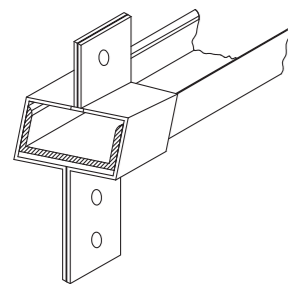
S - Clamp for Hanging System



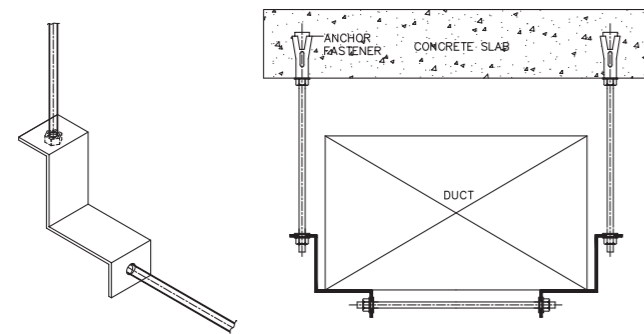
Special - Clamp for Hanging System - 1



Special - Clamp for Hanging System - 2



Q - Clamp for Hanging System



W - Clamp for Hanging System

### CORPORATE OFFICE & NORTHERN REGION

Near Wilhelm Textile Ind., Behrampur Road,  
Village Khandsa, Gurgaon-122001, Haryana  
Phone : (0124) - 4324800 (30 Lines)  
Fax : (0124) - 4324811  
Mobile : +91- 97172 70066  
E-mail : rakesh@rolastar.com

### WESTERN REGION

Bilimora, Gujarat  
Phone : (02634) - 284182, 282141  
fax : (02634) 284639  
Mobile : +91-98258 62858  
E-mail : amit@rolastar.com

### SOUTHERN REGION

Bangalore, Karnataka  
Phone : +91-8110 415700  
Fax : +91-8110 415701  
Mobile : +91-98866 01575  
Email : devang@rolastar.com  
Hyderabad, Andhra Pradesh  
Mobile : +91-9000507074/ 8790292222  
Email : madhusudhan@rolastar.com  
[www.ruskintitusindia.com](http://www.ruskintitusindia.com)

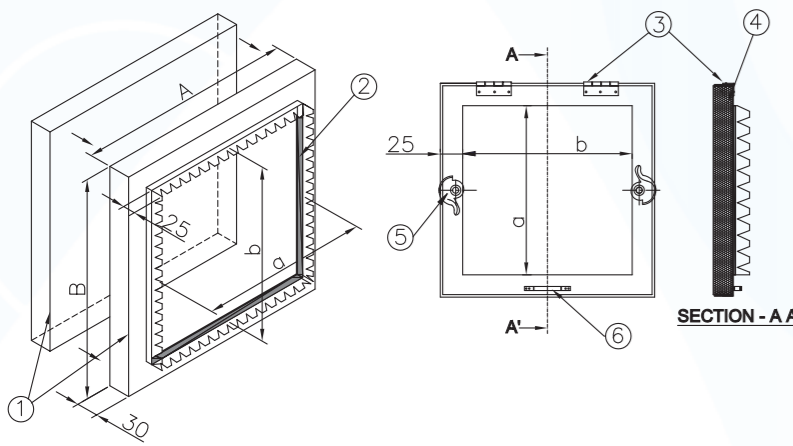


## Accessories



## ACCESS DOOR

- Made from 120 GSM GI material
- Fully galvanized construction & meets SMACNA standards
- Higher GSM (Optional)
- Insulation material (Options)
  - Thermocole
  - Glass wool
  - Nitrile rubber



## ROUND DUCT / ELBOW

- Made from 120 GSM GI material
- **Capacity :**
  - -Gauges : 26 g to 18 g.
  - Diameter : 150 mm to 2000 mm
- Various connector options available
- Higher GSM (Optional)



## SPIGOT DAMPER

- Made from 120 GSM GI material, Fully galvanized construction & meets SMACNA standards
- Stopping bead for proper sitting of flexible duct
- Sturdy quadrant for easy movement of damper blade
- Higher GSM (Optional)

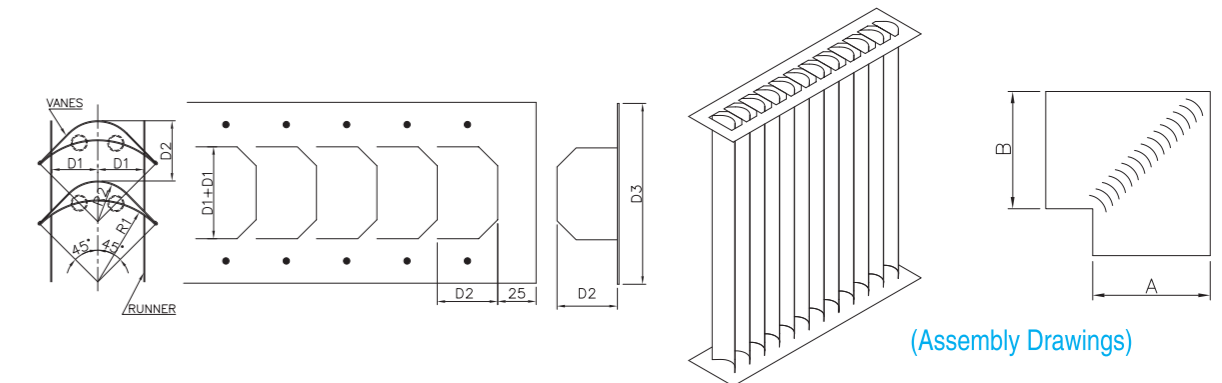
## TERMINAL BOX

- Made from 120 GSM GI material
- Available in factory assembled or knocked down conditions
- Stopping bead for proper sitting of flexible duct on round collar
- Available with hanging clips
- Higher GSM (Optional)



## TURNING VANES & RAILS

- Made from 120 GSM GI material
- Construction conforming to SMACNA standard
- Available in two sizes
- More & dipper dimples for superior strength
- Also available in Higher GSM, SS 304 & Aluminium.



(Assembly Drawings)

## SQUARE TO ROUND PIECE

- Made from 120 GSM GI material
- Factory assembled
- Stopping bead for proper sitting of flexible duct
- Various connector options available for square/ rectangular portion (i.e. Rolamate, TDF, MS angle or GI flange)
- Higher GSM (Optional)



Vanes	D1	D2	D3	R1	R2	Rail Material	Vane Material
Small	29	38	114	51	25	G.I.24G (120GSM)	G.I.26G (120GSM)
Large	57	83	178	114	57	G.I.22G (120GSM)	G.I.24G (120GSM)

- Rail Length =  $(A^2 \times B^2 - 110)$
- Total Rail Req. 2 Nos / elbow
- Vane Qty. = Rail Length / Pitch

	Door Size	No. Hinges	No. Locks	Metal Gauge		
				Frame	Door	Back
2" w.g. Static & Less	12" x 12"	2	1-S	24	26	26
	16" x 20"	2	2-S	22	24	26
	24" x 24"	3	3-S	22	22	26
3" w.g. Static & Less	12" x 12"	2	1-S	22	22	26
	16" x 20"	2	1-S, 1-T, 1-B	20	20	26
	24" x 24"	3	2-S, 1-T, 1-B	20	20	24
4" w.g. to 10" w.g.	12" x 12"	2	1-S, 1-T, 1-B	22	20	26
	16" x 20"	3	2-S, 1-T, 1-B	20	18	24
	24" x 24"	3	2-S, 2-T, 2-B	18	18	24

S = Side Opposite Higes, T = Top, B = Bottom

Construction & Airtightness Must Be Suitable For The Duct Pressure Class Used.

Sr. No	Name	Material
1.	Frame	G.I.
2.	Gasket	Capcell / PE Form
3.	Hinges	G.I.
4.	Insulation Material	Thermocole / Glasswool / Nitrile Rubber
5.	Cam Lock	G.I.
6.	Handel	ALU.

- Billable Area (Sq. Ft.) =  $(axb) / 92903.0 <$
- Minimum measurement for billing per piece shall be 0.10 Sq. Mtr.
- a, b - Duct Cutout & A, B - Total Size
- A = a+50mm & B = b+50mm
- Frame : Galvanized steel, with bend - over tabs and foam gaskets
- Meets 2005 SMACNA standards for pressure class & gauges
- Also available in hinger GSM, Aluminum & SS